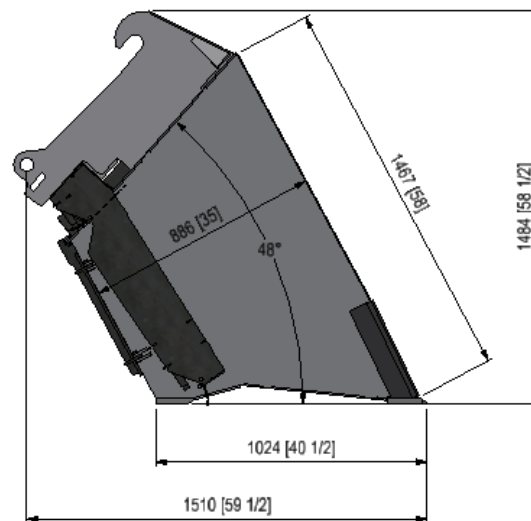
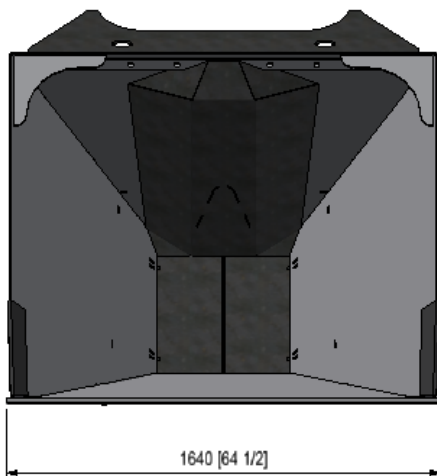
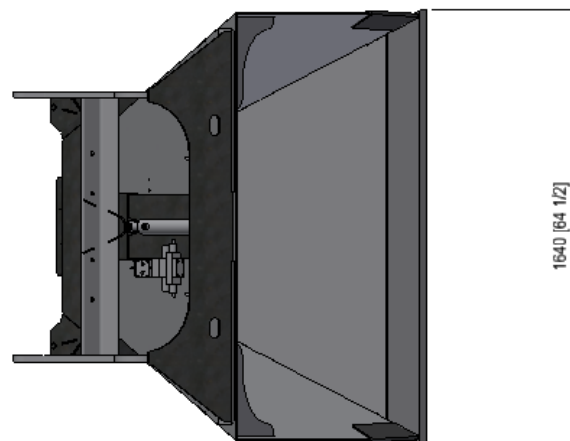


TYPE	BBV-03
Funnel size	1,0 m ³
Big bag types	0,5 m ³ or 1,0 m ³
Empty weight	± 550 kg
Connection system	Quick release system
Type of connection	On request
Recommended loader	6-10t (depending on material)
Funnel opening (top)	1,60m x 1,30m
Funnel opening (bottom)	0,50m x 0,50m
Type of opening	Hydraulic shutter valve
Support hooks	Big bag hooks
Capacity	1800 kg
Color	Black (RAL9005)



BBV-03

- Big bag filler bucket for 0,5m³ and 1,0m³ big bags
- Large opening with hydraulic shutter
- Quick fill-up of big bags using a single person

SACON MACHINES
 St Annastraat 14a
 5091CP Middelbeers
 The Netherlands
 +31 (0) 13 844 0038
 info@sacon-machines.nl

TYPE	BBV-03
Price (excl. VAT)	<i>On request</i>
Quick release system	<i>On request</i>
Type quick release system	<i>On request</i>
Upgrade capacity	<i>Ref. BBV-02 (double cap.)</i>



Usage on excavator



Multiple type of machines



Operated from cabine



Quick connection coupling



BBV-03

- *Big bag filler bucket for 0,5m³ and 1,0m³ big bags*
- *Large opening with hydraulic shutter*
- *Quick fill-up of big bags using a single person*

SACON MACHINES
 St Annastraat 14a
 5091CP Middelbeers
 The Netherlands
 +31 (0) 13 844 0038
 info@sacon-machines.nl